

# SPOTMOD® SLIK LED Light Panel

## SPECIFICATION SHEET



### OVERVIEW

SPOTMOD® SLIK LED Light Panels feature exceptional color rendering with 90+ CRI values and architectural grade styling with a slim, ultra-sleek profile. The premium diffused panel creates a singular light source and eliminates hot spots. This lightweight fixture delivers a soft, yet bright light, making it ideal for under cabinet and display lighting applications.

This ultra-bright and low-profile fixture can be easily surface mounted with only the adhesive pad, and/or four enclosed screws.

### FEATURES & BENEFITS

- 90+ CRI: Superior color rendering
- High lumen output
- Low-profile
- Modern design
- Easy to install
- 3-Year Warranty

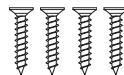
### FINISH



White

### INCLUDED ACCESSORIES

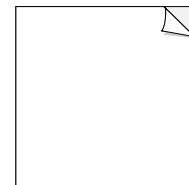
A. (3-4) Screws



B. (3-4) Screw Caps



C. (1) Adhesive Mounting Pad



Item #	
Project	

## SPECIFICATIONS

- Input: 12VDC Constant Voltage
- Power Consumption: See chart below
- CRI: 90+
- Beam Angle: 100°
- Dimmable: Yes
- Housing: PVC frame, and aluminum backplate
- Ambient Temperature<sup>1</sup>: -4 ~ 122°F (-20 ~ 50°C)
- Operating Temperature<sup>2</sup>: -4 ~ 176°F (-20 ~ 80°C)
- Environment: Damp / Indoor only
- Included Items: (1) Adhesive mounting pad, and (3) Screws and screw caps (Triangle Model) or (4) screws and screw caps for all other models.
- Dimensions: See 'Mechanical Diagrams'

## COMPLIANCE & REGULATORY APPROVALS


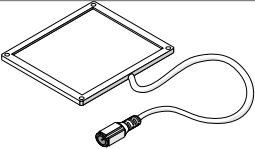

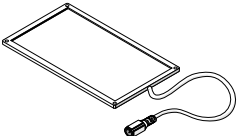
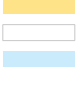
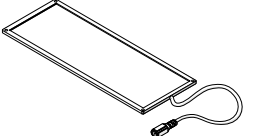
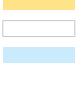
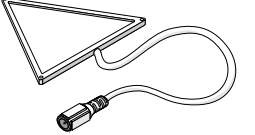
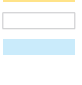
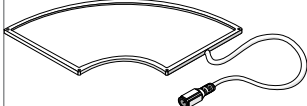
### Safety

- UL Listed 2108, UL 8750. UL CAN/CSA-C22.2 no. 250.0. E469769

### Performance

- LED chip data measured in accordance to IES LM-80-08.
- Photometric & Colorimetry data measured in accordance to IES LM-79-08, in Elemental LED's Innovation Lab.

## FIXTURE MODELS

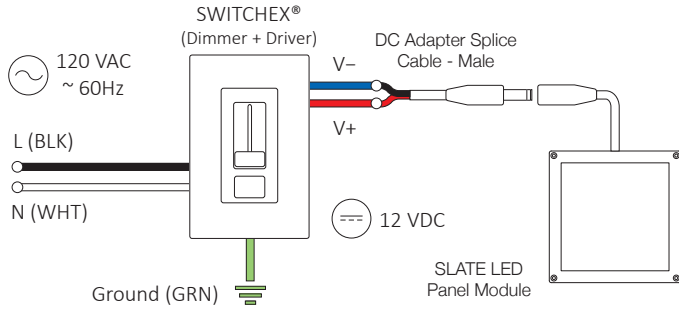
Item #	Fixture Size	Finish	CCT (Kelvin)*	Lumens <sup>3</sup>	Power Consumption	Efficacy <sup>4</sup> /Fixture (lm/W)	
DI-12V-SLA*-4SQ-W	4 in. x 4 in.	WH	 3000K 4000K 6000K	166	3W	55	
DI-12V-SLA*-8RT-W	4 in. x 8 in.	WH	 3000K 4000K 6000K	377	6.26W	60	
DI-12V-SLA*-12RT-W	4 in. x 12 in.	WH	 3000K 4000K 6000K	566	9.13W	62	
DI-12V-SLA*-4TR-W	4 in. x 4 in.	WH	 3000K 4000K 6000K	81	2.1W	38	
DI-12V-SLA*-4AR-W	5 in. x 11 in.	WH	 3000K 4000K 6000K	444	7.26W	61	

\* - Substitute with **30** for 3000k, **40** for 4000k, or **60** = 6000k

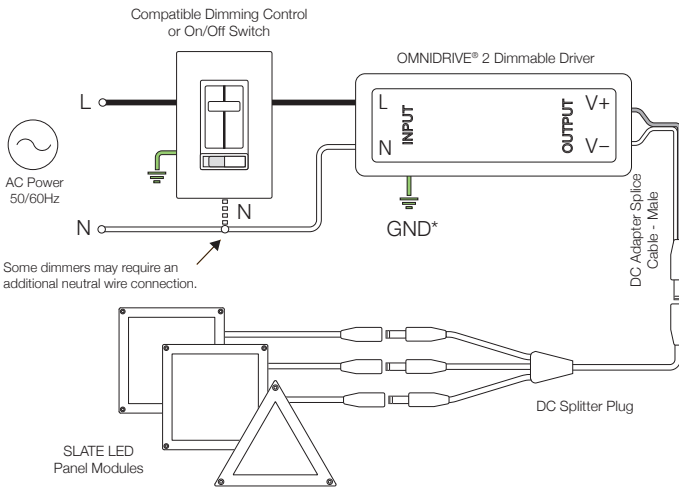
1. Do not install product in an environment outside the listed ambient temperature. Exceeding the maximum ambient temperature may damage LED chips, reduce the total lamp life, lumen output, and/or adversely impact color consistency.
2. Operating temperature is measured according to the minimum and maximum ambient temperature environment.
3. Lumen output is measured in accordance to IES LM-79-08. LED chips have a luminous flux range with a tolerance of +/- 5%. Lumen Output measured against 4000k Color Temperature Fixtures.
4. Actual efficacy value is dependent to specified LED driver (power supply). An estimated efficacy value has been provided and calculated as follows: Lumen value (measured in accordance to IES LM-79-08) divided by average power consumption per fixture.

## SYSTEM DIAGRAMS\*

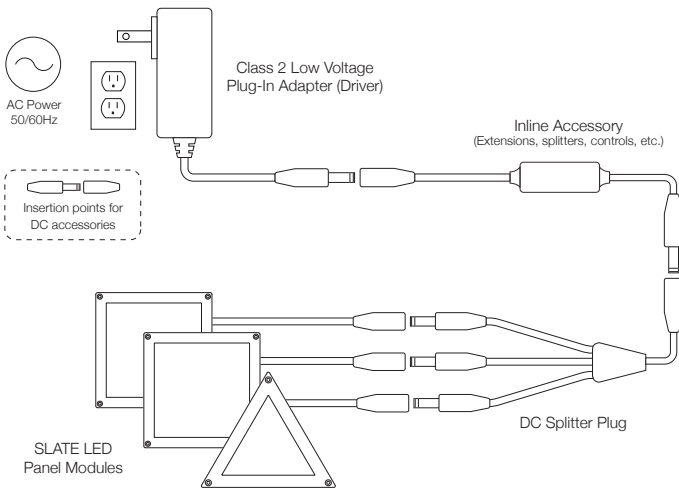
### SWITCHEX® DIAGRAM



### OMNIDRIVE® 2 ADAPTER DIAGRAM



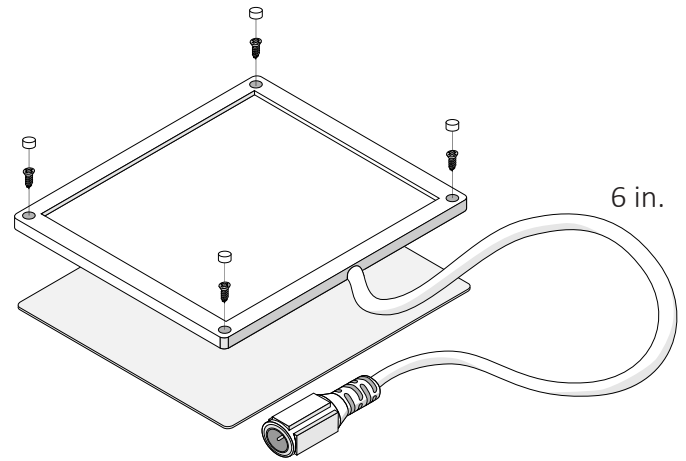
### PLUG-IN ADAPTER DIAGRAM



## MOUNTING

### SURFACE MOUNTING

1. Mount SPOTMOD® SLIK LED Light Panel to surface with either 4x screws (included) using a Phillips head screwdriver (not included), or Adhesive Pad.
2. Place Screw Caps over Screws.

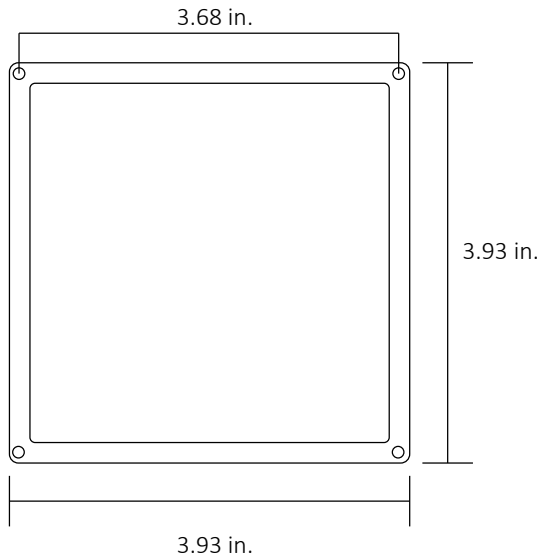


\* Diagrams are provided as general guidelines for installation. All installations will vary slightly. OMNIDRIVE®, REIGN® Dimmer, TOUCHDIAL™, and more installation diagrams are available at driver & controller installation guides.

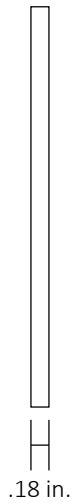
# MECHANICAL DIAGRAMS

## DI-12V-SLA\*-4SQ-W

TOP VIEW

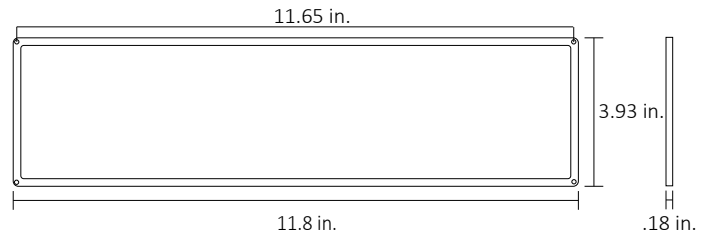


SIDE VIEW

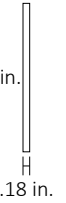


## DI-12V-SLA\*-12RT-W

TOP VIEW

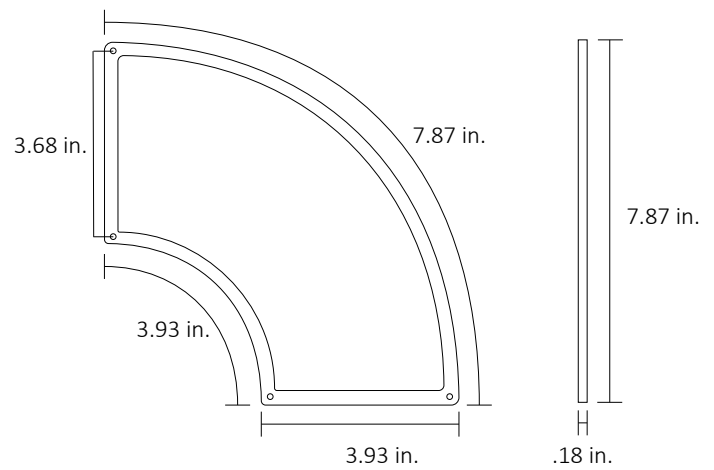


SIDE VIEW

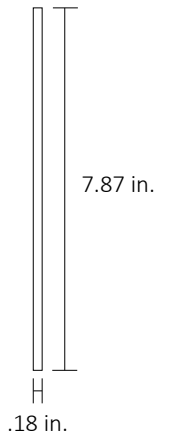


## DI-12V-SLA\*-4AR-W

TOP VIEW

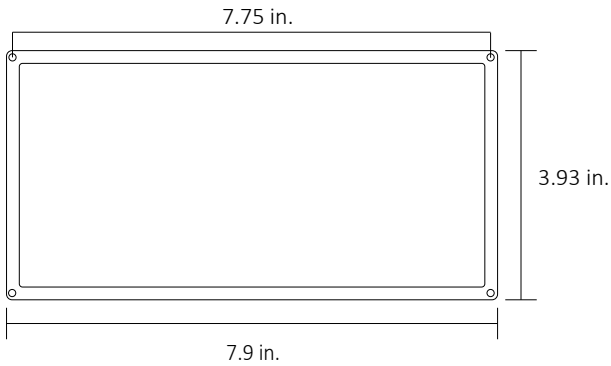


SIDE VIEW

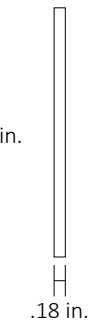


## DI-12V-SLA\*-8RT-W

TOP VIEW



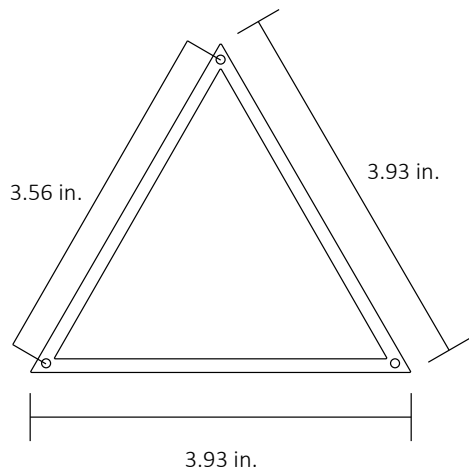
SIDE VIEW



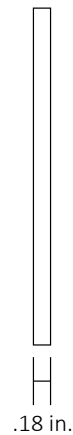
\* - Indicates CCT. Reference Color Temperatures available on page 2.

## DI-12V-SLA\*-4TR-W

TOP VIEW



SIDE VIEW



## ADDITIONAL RESOURCES

- SPOTMOD® SLIK LED Light Panel INSTALLATION GUIDE

## SAFETY / WARNINGS / DISCLOSURES

1. Install in accordance with the NEC and local regulations.
2. This product is intended to be installed and serviced by a qualified, licensed electrician.
3. DO NOT Connect to 120VAC Power.
4. This product MUST be powered with a compatible Class 2 12VDC LED driver and has not been evaluated for use when connected to a power source that does not comply with Class 2 voltage and energy limited supplies.
5. Do not install any closer than 6 inches from any curtain, or similar combustible materials.
6. Suitable for Damp Locations. Do not install in wet locations or outdoors.
7. Attached wire leads, connectors and accessories are not rated for in-wall installation.
8. Attached wire leads are field-cuttable.

## WARRANTY

### Limited Warranty

This product has a three (3) year limited warranty from the date of shipment. This warranty does not include the additional accessories referenced in this specification sheet. Complete warranty details for fixtures and additional accessories are available at [www.DiodeLED.com](http://www.DiodeLED.com) under the 'Tools & Resources' tab. For warranty related questions please contact product support.

### Consumer's Acknowledgment

Diode LED stands behind its products when they are used properly and according to our specifications. By purchasing our products, the purchaser agrees and acknowledges that lighting design, configuration and installation is a complex process, wherein seemingly minor factors or changes in layout and infield adjustments can have a significant impact on an entire system. Choosing the correct components is essential. Diode LED is able to work with the original purchaser to make an appropriate product selection to the extent of the limited information that the customer can provide, but it is virtually impossible for Diode LED to design a system that foresees every unknown factor. For this reason, this Warranty does not cover problems caused by improper design, configuration or installation issues. Any statement from a Diode LED employee or agent regarding a customer's bill of goods and/or purchase order is NOT an acknowledgment that the products purchased are designed and configured correctly. The purchase agrees and acknowledges that it is the customer's responsibility to adhere strictly to all information contained in the Product Specification Sheets.

There is often more than one way to design, configure and layout an LED lighting application properly to achieve the same lighting effect. Diode LED strongly recommends that licensed professionals be used in the design and installation of lighting systems that include Diode LED products. The specifications include important information that a designer and installer should carefully review and strictly follow. Qualified designers and certified and/or licensed installers, with access to the final installation environment, customer goals, and Diode LED product specifications can make the requisite decisions appropriate for a successful finished lighting application.



© 2017 Elemental LED, Inc. All rights reserved.  
Specifications are subject to change without notice.

Toll Free: 877.817.6028 | Fax: 415.592.1596 | [www.DiodeLED.com](http://www.DiodeLED.com) | [info@DiodeLED.com](mailto:info@DiodeLED.com)